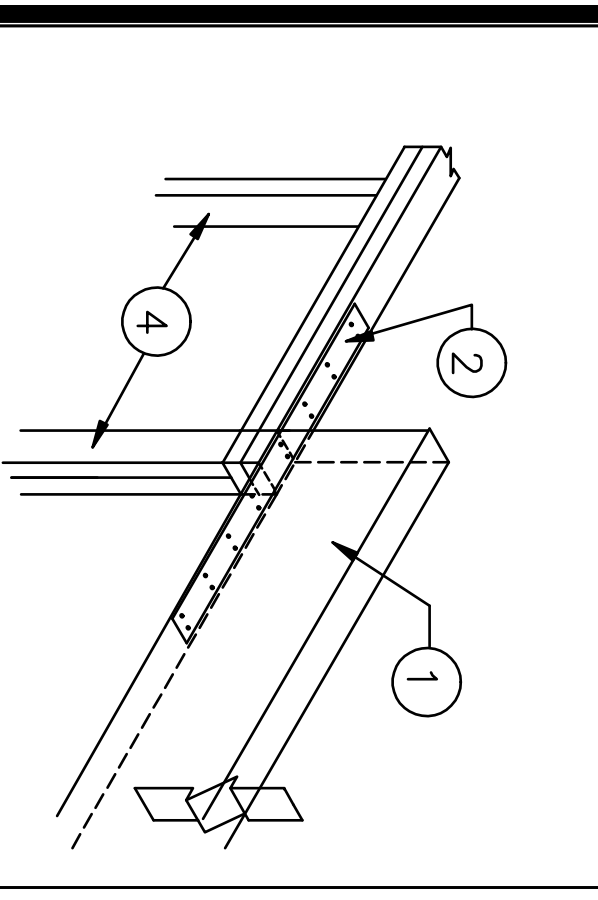
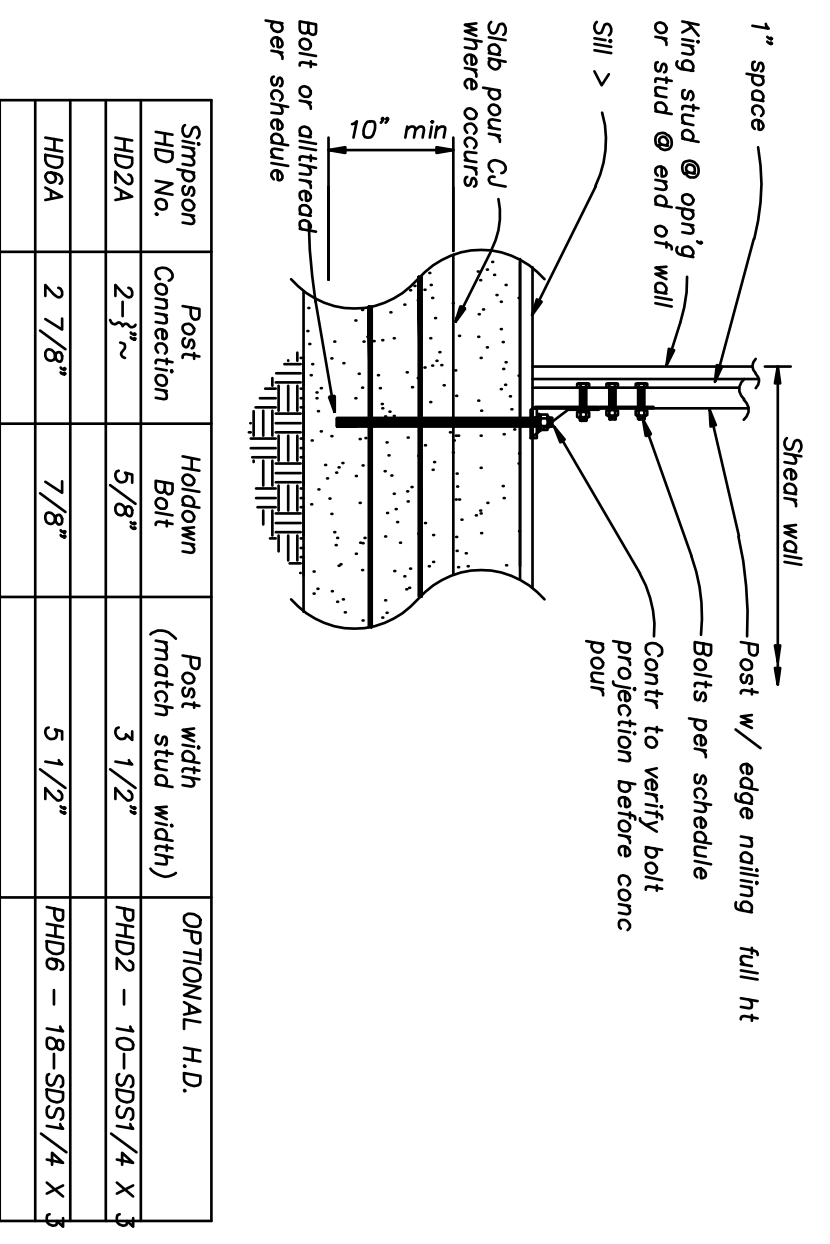


1. BEAM IN FLOOR SYSTEM PER PLAN
2. STRAP PER PLAN - NAIL UP INTO BEAM, DOWN INTO DBL. TOP > AS SHOWN.
3. DOUBLE TOP >
4. 2x STUDS PER PLAN
5. SHEAR PLYWOOD AS OCCURS
6. SOLID BLOCKING WHERE OCCURS.



SHEAR TRANSFER DETAIL

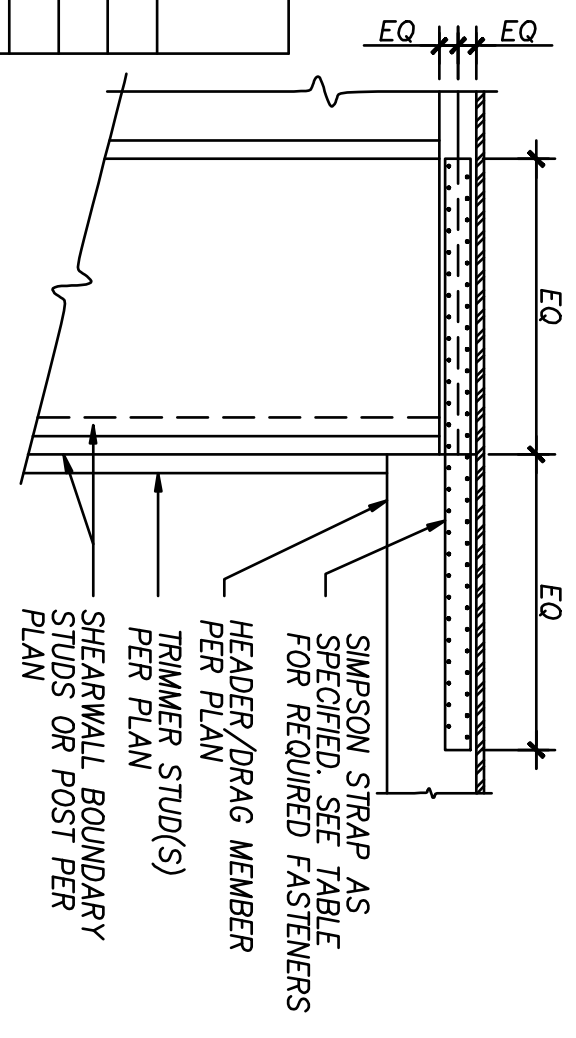


Simpson HD No.	Post Connection	Holddown Bolt	Post width (match stud width)	OPTIONAL HD.
HD2A	2-1/2"	5/8"	3 1/2"	PHD2 - 10-S051/4 X 4
HD6A	2 7/8"	7/8"	5 1/2"	PHD6 - 18-S051/4 X 4

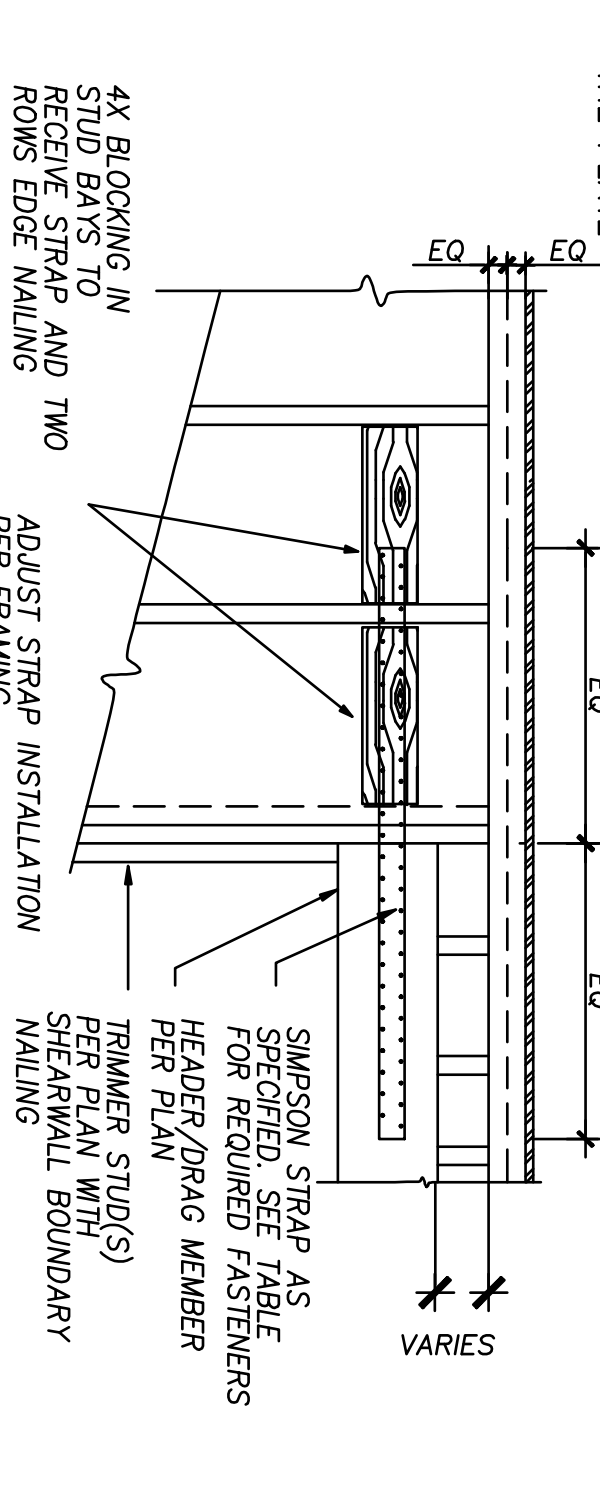
WHERE HOLDOWNS ARE EPOXIED TO EXISTING SLAB, USE SIMPSON 'SET'. BIT SHALL BE 1/8" LARGER THAN MANUFACTURER'S BOLT PROVIDE 10" EMBEDMENT IN FIRST POUR

EPOXIED HOLDOWN

11

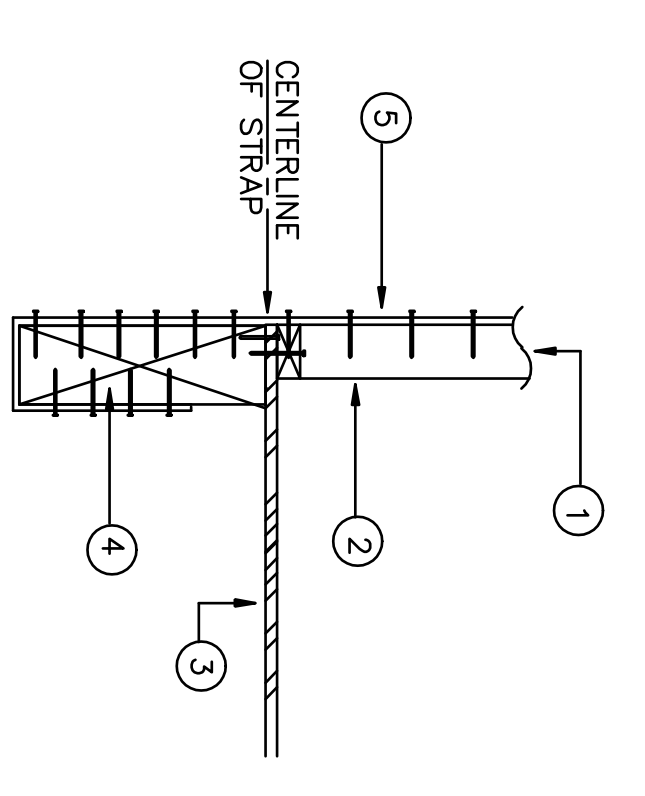


SIMPSON FLECE	FASTENERS
MST77	30-16d
MST37	42-16d
MST48	46-16d
MST60	56-16d



STRAP NAILING

12

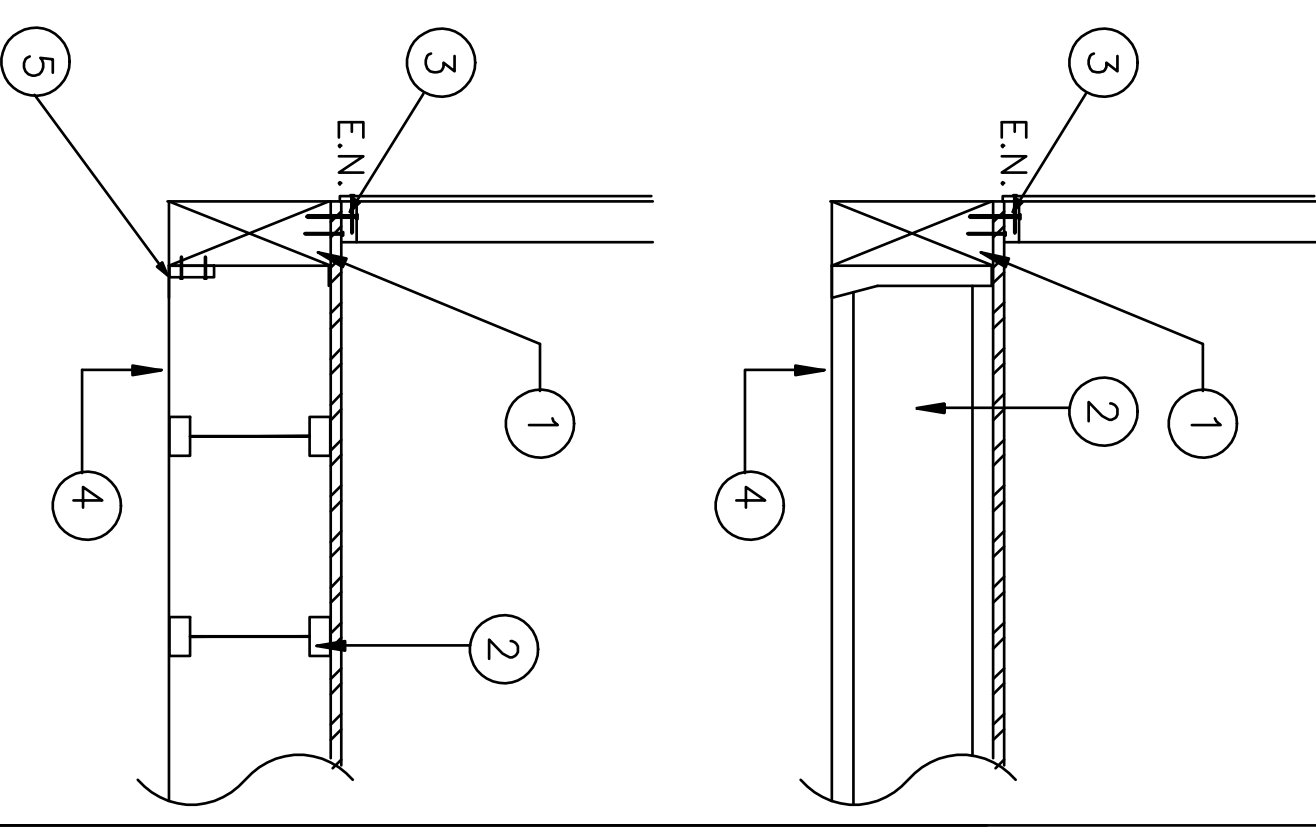


NAILING: 8d's @ CS16 EACH SIDE OF STRAP < 14 16d's @ MST60 EA. SIDE OF STRAP >

1. 4x AT MST60 OR (2) 2x @ CS16 STRAP
2. SPLICE DBL STUDS WITH 16d's AT 6" oc
3. SHEATHING PER PLAN
4. HEADER PER PLAN (OR DBL. FLOOR JOIST)
5. STRAP PER PLAN
6. FILL ALL HOLES WITH 8d's AT CS16's. FILL ALL HOLES WITH 16d's AT OTHER STRAPS

FRAMING DETAIL

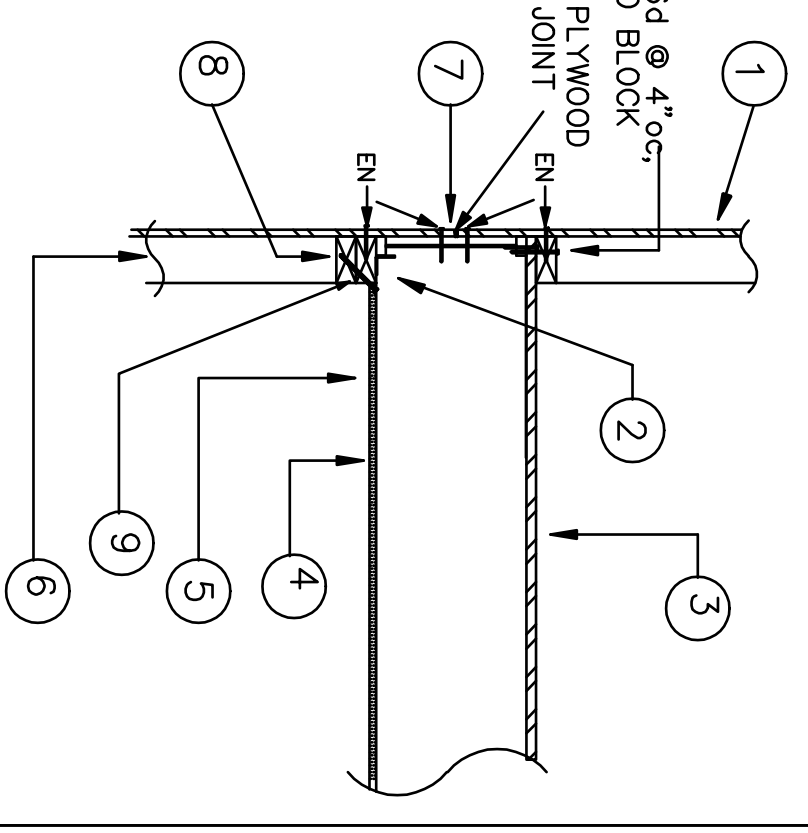
7



1. FLUSH HEADER PER PLAN
2. FLOOR JOISTS AT 16" oc W/ 3/4" T&G UNDERLAYMENT PLYWOOD SUBFLOOR SEE FRAMING PLAN FOR HANGER SIZE
3. 16d AT 4" o.c. PLATE TO BEAM 8d AT 6" o.c. PL TO BEAM
4. CEILING FINISH PER PLAN
5. 2x4 NAILER (3) 80'S AT 12" o.c.

FRAMING DETAIL

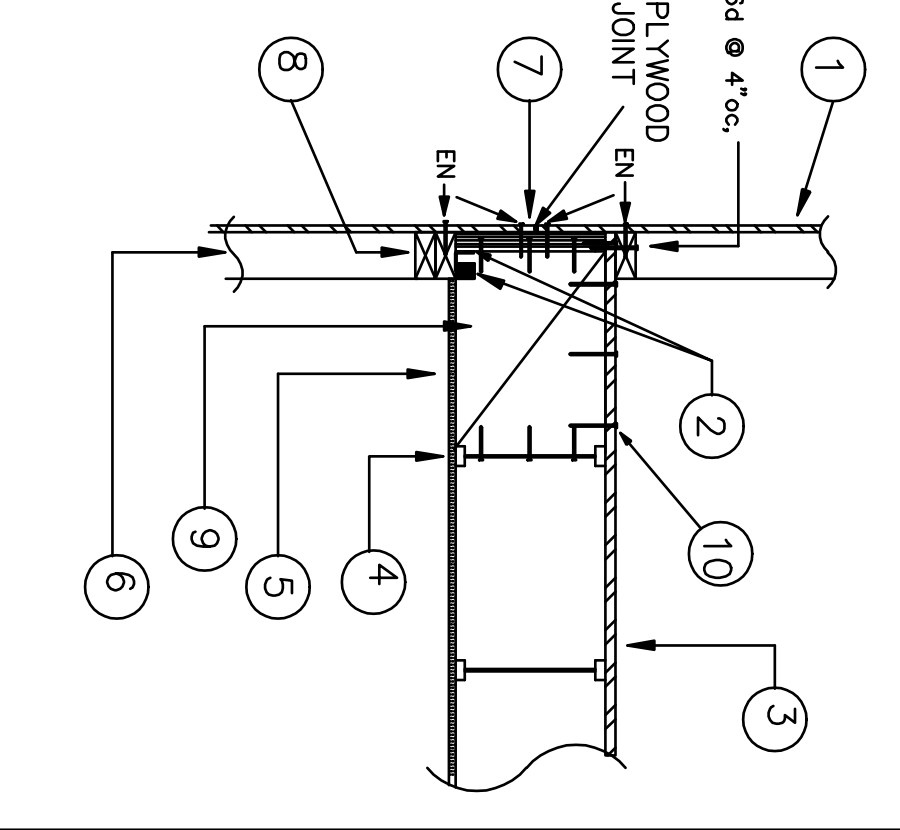
8



1. SEE PLANS FOR SHEATHING AND EXTERIOR SIDING
2. A35 EACH BLOCK
3. FLOOR SHEATHING PER PLAN
4. FLOOR JOISTS PER PLAN
5. GYP. BOARD CEILING PER PLAN
6. 2x STUDS @ 16" oc
7. FULL DEPTH BLOCKING
8. (2) 2x CONT. > (SEE PLAN FOR TOP PLATE SPLICE INFO)
9. ((3) 16d TOENAILS JOIST TO PLATE

FRAMING DETAIL

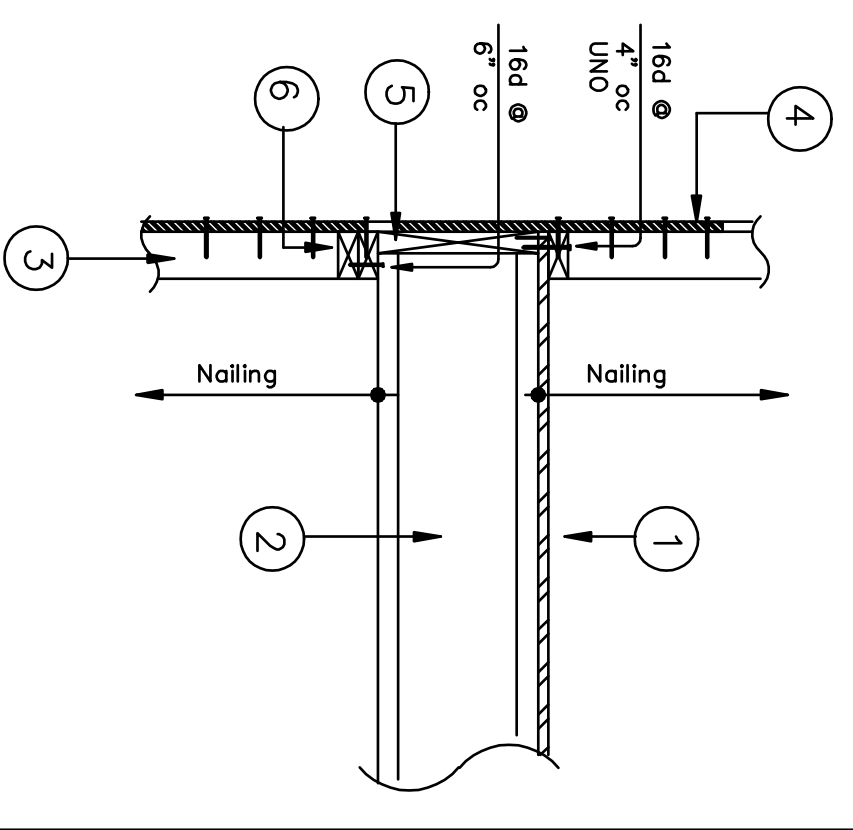
9



1. SEE PLANS FOR SHEATHING AND EXTERIOR SIDING
2. A35 @ 16" o.c. RIM TO WALL AND BLOCKING TO WALL
3. FLOOR SHEATHING PER PLAN
4. FLOOR JOISTS PER PLAN
5. GYP. BOARD CEILING PER PLAN
6. 2x STUDS @ 16" oc
7. SOLID 1 1/4" LSL RIM JOIST (3) 16D'S TO BLOCK - TYPICAL
8. (2) 2x CONT. > (SEE PLAN FOR TOP PLATE SPLICE INFO)
9. FULL DEPTH BLOCK AT 32" o.c.
10. 8d AT 4" o.c. INTO BLOCKING

FRAMING DETAIL

4



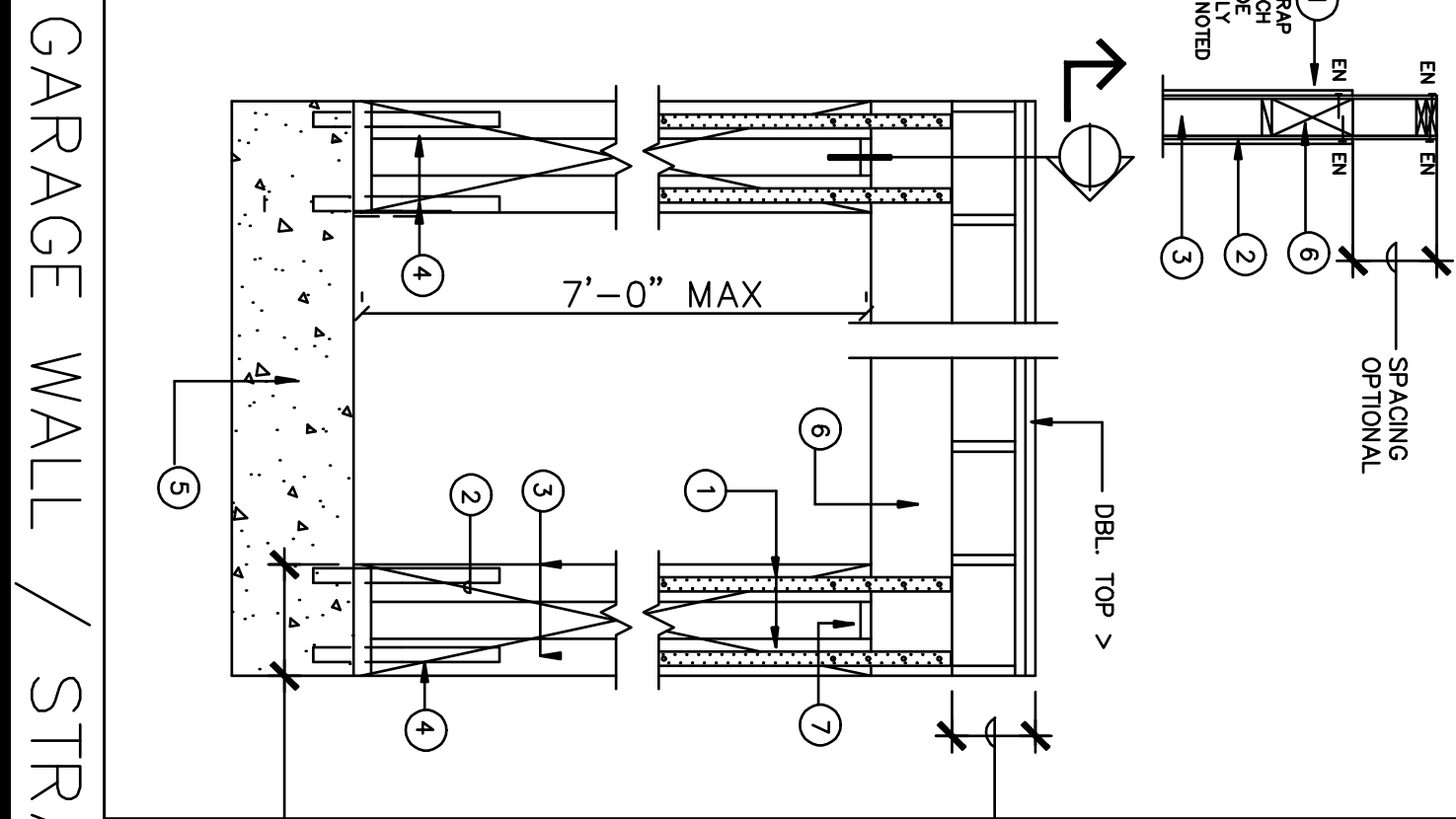
1. FLOOR SHEATHING PER PLAN
2. FLOOR JOIST PER PLAN
3. STUD PER SCHEDULE BELOW
4. STRAP PER PLAN
5. SHEAR PLYWOOD OVER NOT SHOWN FOR CLARITY
6. CONT. RIM JOIST OR BLOCKING PER PLAN
7. (2) 2x > - SEE PLAN FOR TOP PLATE SPLICE INFORMATION

FRAMING DETAIL

5

Simpson Strap No.	Min. Post	Attachment to Post
CS16x48"	DBL. STUD	FILL ALL HOLES
MST60	4x STUD	(25) 16d's EA. STORY
OMST12x60"	4x STUD	(34) 16d's EA. STORY

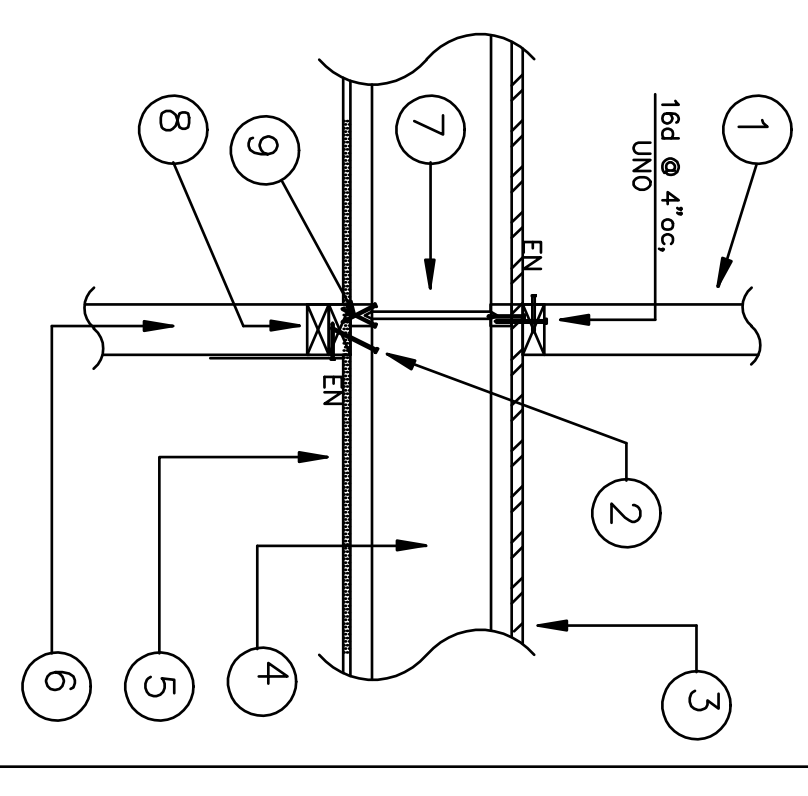
PLY EDGE NAILING AT ALL STUDS SUPPORTING STRAPS



1. SIMPSON' MST60 STRAP
 2. 3/8" PLYWOOD W/ SHEARWALL NAILING AS NOTED ON PLAN (EACH SIDE OF POST U.O.N.)
 3. 4x4 POSTS (MIN)
 4. HOLDOWN ONLY WHEN NOTED ON FOUNDATION PLAN
 5. FOOTING PER PLAN
 6. HEADER AS NOTED ON PLAN
 7. 2x BKGS. BETW. 4x4 POSTS
- VARIABLES - SEE PLAN

GARAGE WALL / STRAP

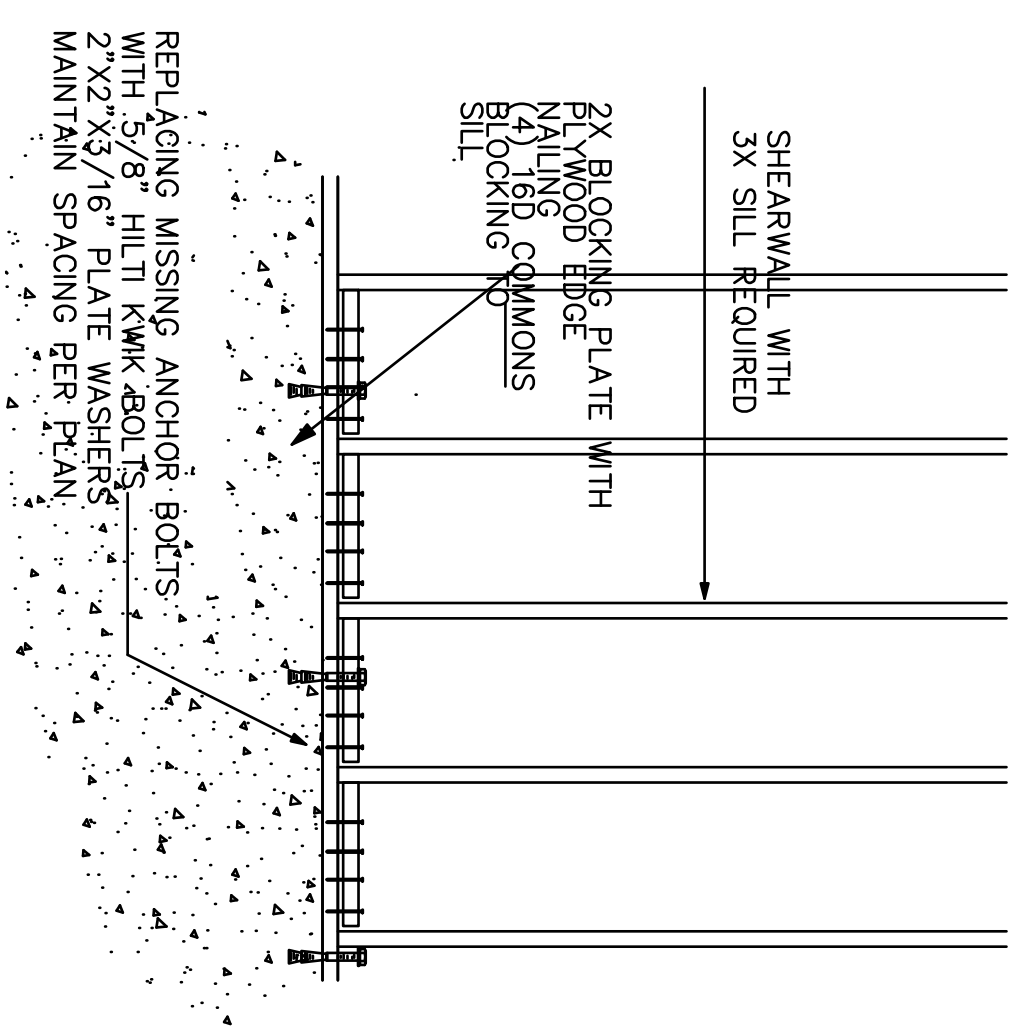
6



1. SEE PLANS FOR SHEATHING (WHERE OCCURS)
- (1) 8d EA. SIDE OF TJI JOIST, 1 1/2" MIN. FROM END
3. FLOOR SHEATHING PER PLAN
4. FLOOR JOISTS PER PLAN
5. GYP. BOARD CEILING PER PLAN
6. 2x STUDS @ 16" oc
7. TJI. BLOCKING
8. (2) 2x CONT. > (SEE PLAN FOR TOP PLATE SPLICE INFO)
9. 16D SINKERS AT 8" o.c.

FRAMING DETAIL

1



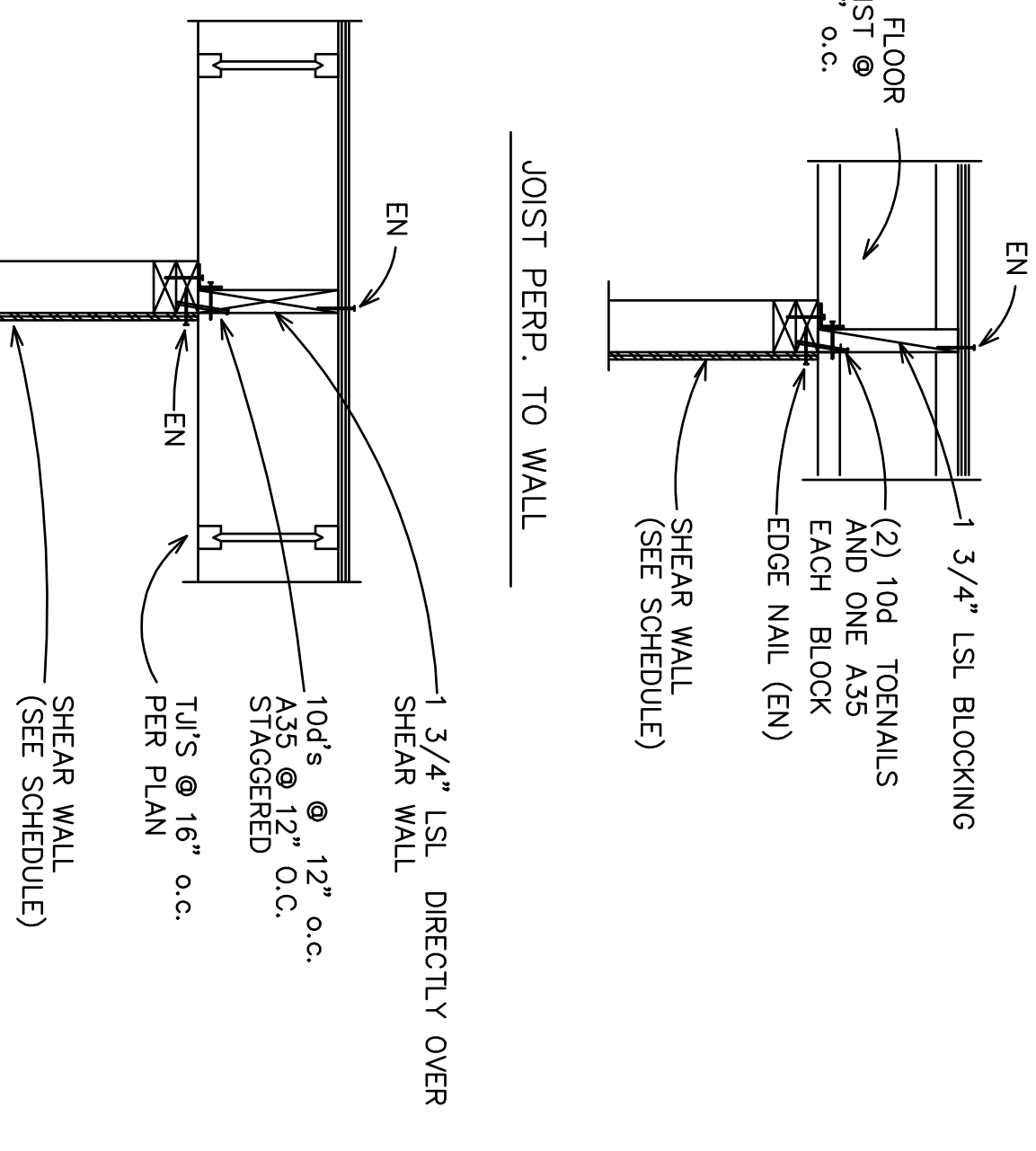
REPLACING MISSING ANCHOR BOLTS WITH 5/8" HILLTI KMK BOLTS WITH 2"x2"x3/16" PLATE WASHERS MAINTAIN SPAACING PER PLAN.

2X BLOCKING PLATE WITH PLYWOOD EDGE NAILING FOR TOP PLATE BLOCKING

SHEARWALL WITH 3X SILL REQUIRED BLOCKING PER PLAN

2X SILL REPAIR - MISSING BOLTS

2



- JOIST PERP. TO WALL
- 1 3/4" LSL BLOCKING
- (2) 10d TOENAILS AND ONE A35 EACH BLOCK EDGE NAIL (EN)
- SHEAR WALL (SEE SCHEDULE)
- 1 3/4" LSL DIRECTLY OVER SHEAR WALL
- 10d's @ 12" o.c. A35 @ 12" o.c. STAGGERED
- TJIS @ 16" o.c. PER PLAN
- SHEAR WALL (SEE SCHEDULE)
- JOIST PARALLEL TO WALL

SHEAR TRANSFER DETAIL

3